

APL Systems and Product Selector

APL
ARCHITECTURAL PROFILES



Specialising in the BESPOKE DETAILS that make a building special



Index

Content	Page
Architectural Profiles Limited	3
Signature Details	4
Roof Profiles & Rooflights	5
ZipSeam™ Standing Seam Profiles	6
Liner Profiles	7
Sinusoidal Wall Profiles	8
Trapezoidal Wall Profiles	9
Louvre Profiles & Integrated Live Louvres	10
Custom Shape Panels & Profiles	11
Slimwall™ Rainscreen and Flat Panel Systems	12
StrongBak™ Structural Framing System	13
Soffit Systems	14
Architectural Mitre Corners and G.E Fin Flashings	15
Architectural Fabrications & Flashings	16
General Flashings & Fabrications System	17
Fixings, Sealants & Accessories	17
APL CapFIX™ Capping System	18
Tritherm™ Spacer System	19
Tritherm™ “Alu E” Extrusion Framing	20
Cantilever Overhang System	21
Structural Decking	22
FastClad™ Brickslip Support System	23





We care passionately about delivering tangible benefits

- Established for over 35 years, working with many of the country's leading architects and contractors.
- Established members of the CWCT and MCRMA.
- A reputation for providing stylish, technically advanced, and extremely cost-effective building envelope solutions.
- All systems and components designed as NON-COMBUSTIBLE and FIRE-RESISTANCE rated assemblies available.
- 55,000 square ft manufacturing facility in the UK.
- NBS specification service.
- Design back up, with structural, acoustic, thermal and wind load calculations.
- ISO 9001 & ISO 14001 Registered.

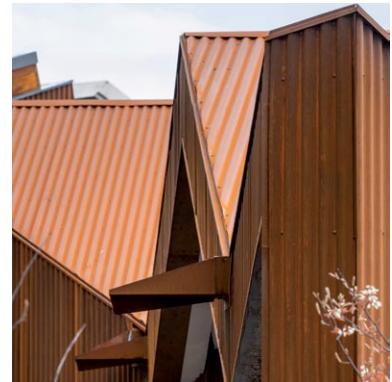
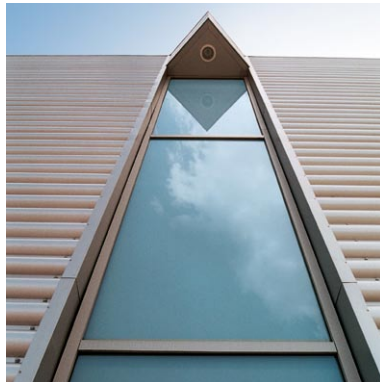
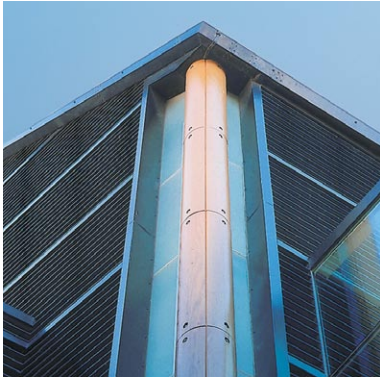
Cladshield™ 25 Year Fully Installed System Warranty.

- A unique partnership between the system manufacturer and the cladding installer.
- Installations are regularly inspected by an independent, PI backed, registered MCRMA inspector.
- Written reports and photographic records throughout the installation.

Cladsafe™ Non-Combustible Assembly

- All systems or products marked as Cladsafe are non-combustible.
- A Cladsafe system is eligible for a Cladshield warranty.

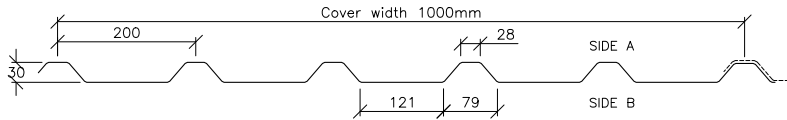
Signature Details



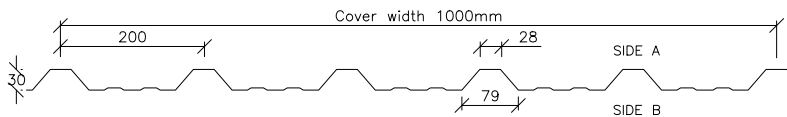
Roof Profiles and Rooflights

Materials: Aluminium, Steel, Cor-ten. **Finishes:** PPC, HDP, Armacoil™ HDP, LG, Prisma, HPS, Anodised.

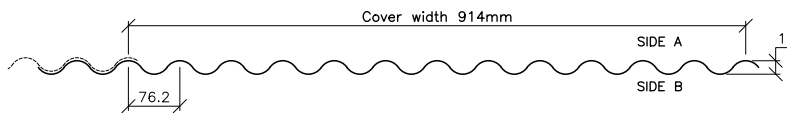
AP 31/1000R



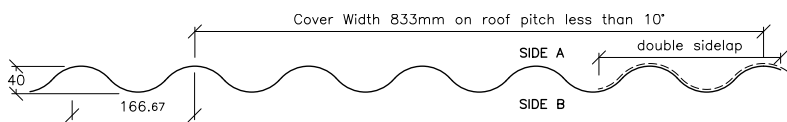
AP 31/1000RR



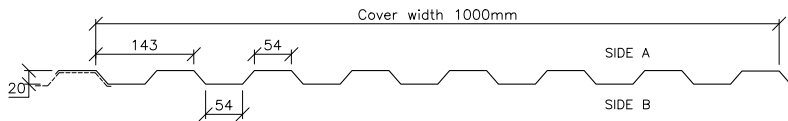
AP 18HR-R



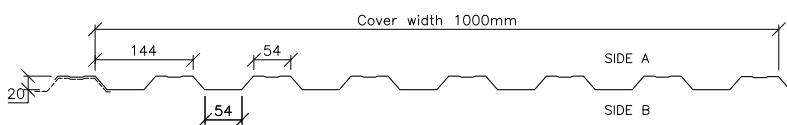
AP 45HR-R



AP 22/50R



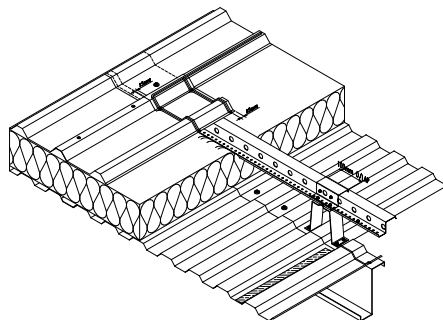
AP 22/50RR



Rooflights

Available in both GRP & Polycarbonate

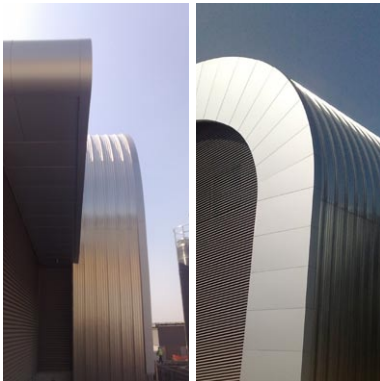
Typical APL non-combustible Pierce Fix roof assembly



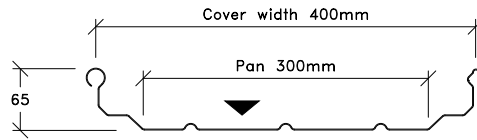
Cor-ten

ZipSeam™ Standing Seam Profiles

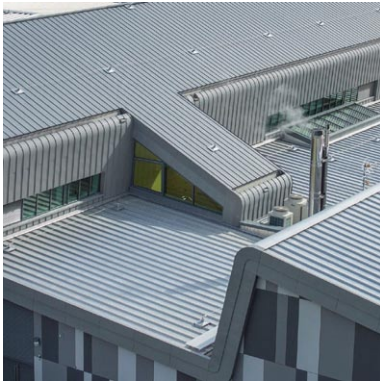
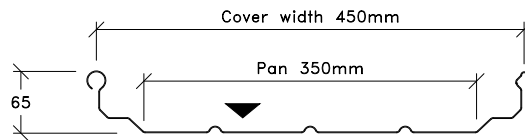
Materials: Aluminium, Steel. **Finishes:** Mill Finish Stucco Embossed, PUF, PPC, LG, HPS.



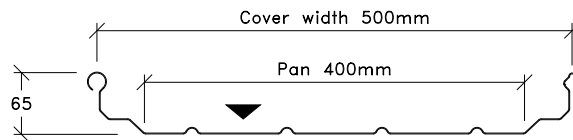
AP 65 ZS 400



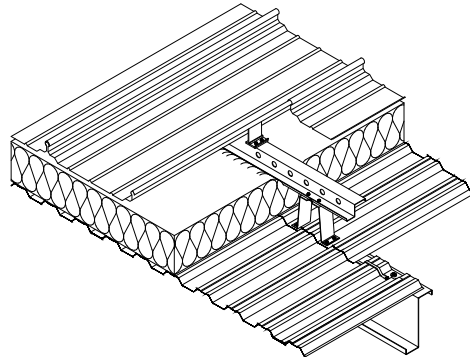
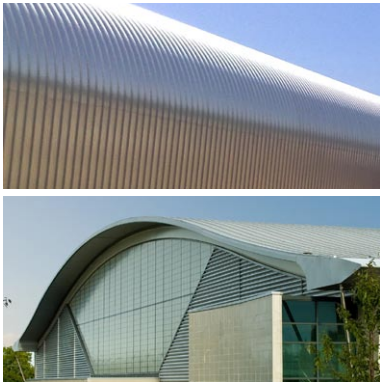
AP 65 ZS 450 (Steel only)



AP 65 ZS 500



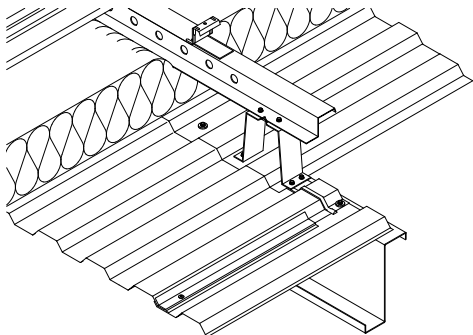
Typical APL non-combustible ZipSeam™ standing seam assembly



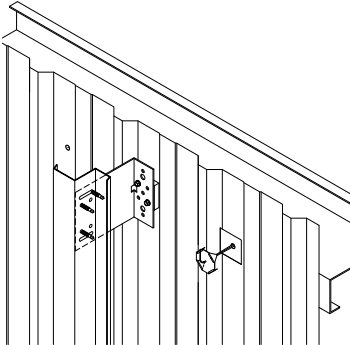
Liner Profiles

Materials: Steel. **Finishes:** Internal Polyester, FoodSafe.

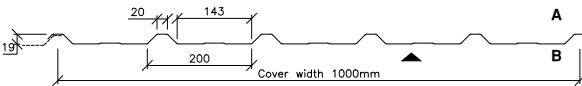
Typical APL roof liner assembly



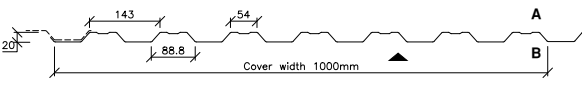
Typical APL wall liner assembly



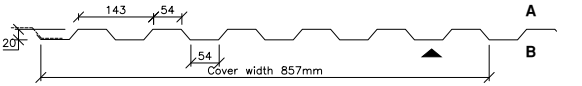
AP 19LPH 0.4mm



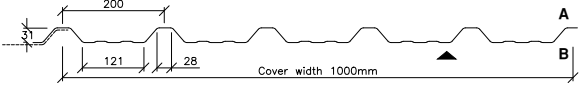
AP 22 HWR 0.7mm - Walk On Liner



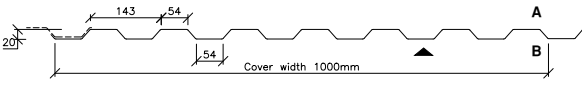
AP 22 HW 0.4mm



AP 31/1000 LP 0.7mm - Walk On Liner



AP 22 HW 0.7mm - Walk On Liner

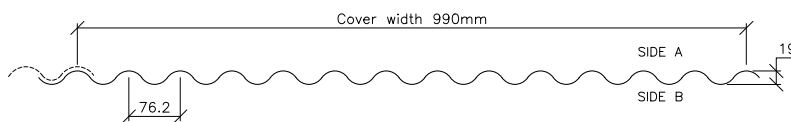


Sinusoidal Wall Profiles

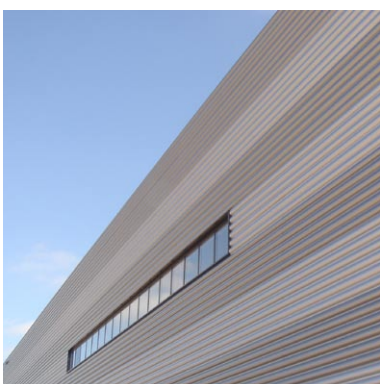
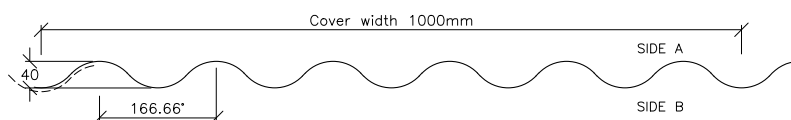
Materials: Aluminium, Steel, Cor-ten. **Finishes:** PPC, Armacoil™ HDP, PUF, LG, Prisma, HPS, Anodised.
Fully or part perforated.



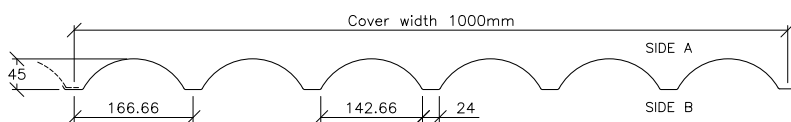
AP 18 HR



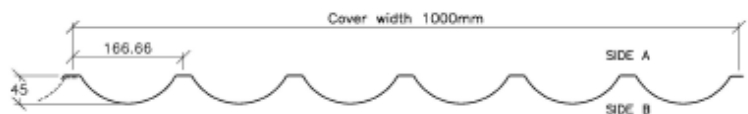
AP 45 HR



AP 50 HR



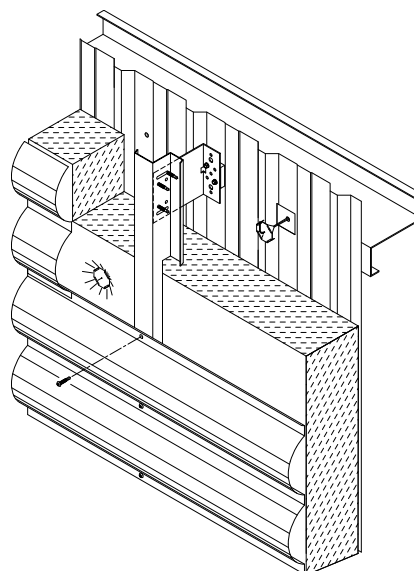
AP50-Curveline™



Cor-ten



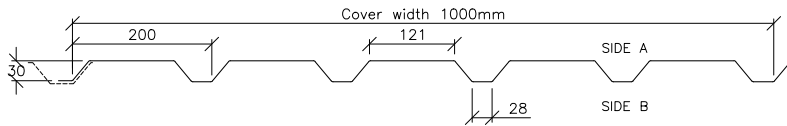
Typical APL non-combustible horizontal wall profile assembly



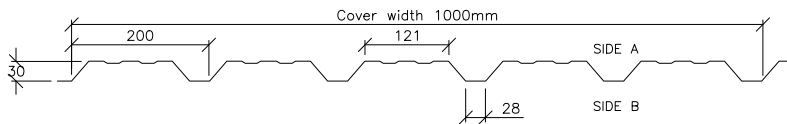
Trapezoidal Wall Profiles

Materials: Aluminium, Steel, Cor-ten. **Finishes:** PPC, Armacoil™ HDP, PUF, LG, Prisma, HPS, Anodised.
Fully or part perforated.

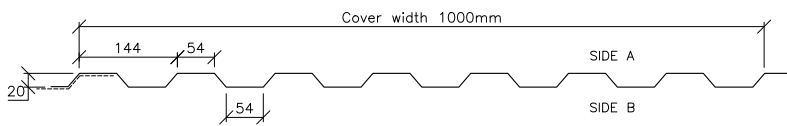
AP 30/35W



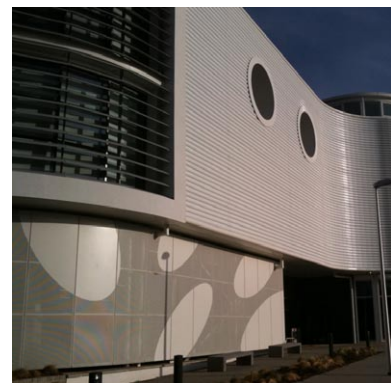
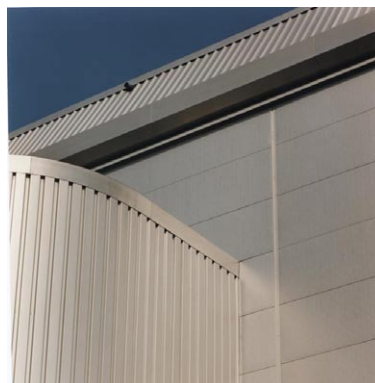
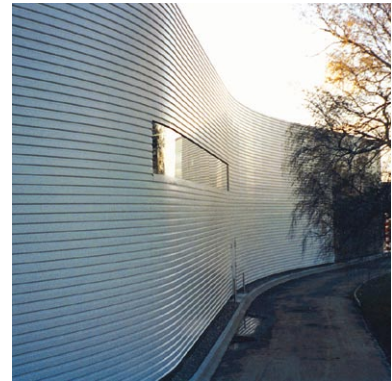
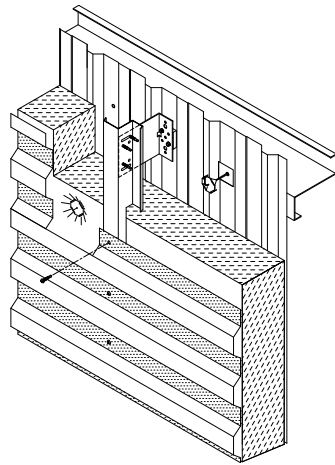
AP 30/35WR



AP 22/50W



Typical APL non-combustible horizontal wall profile assembly

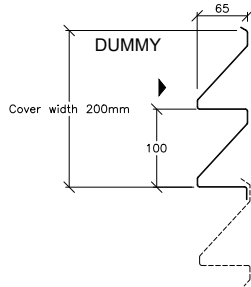


Louvre Profiles and Integrated Live Louvres

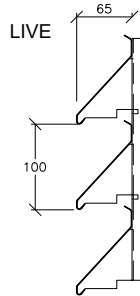
Roll-formed in lengths up to 7m. Materials: Aluminium, Steel.

Finishes: PPC, Anodised, PUF, Armacoil™ HDP, Prisma, LG, Stucco Embossed, HPS, Perforated.

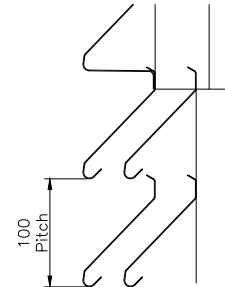
AP70 LCP Louvre Profile



AP 70 Live Louvre Single Bank



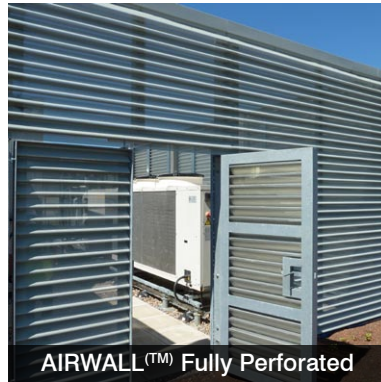
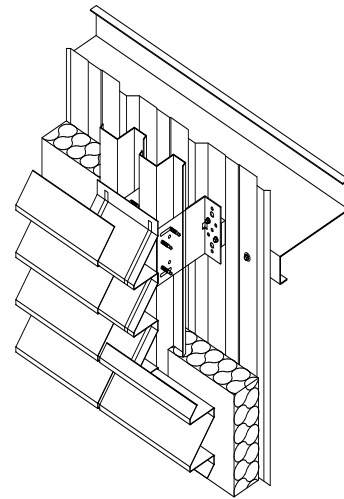
AP 70 Live Louvre Double Bank



Live Louvres BSRIA Tested

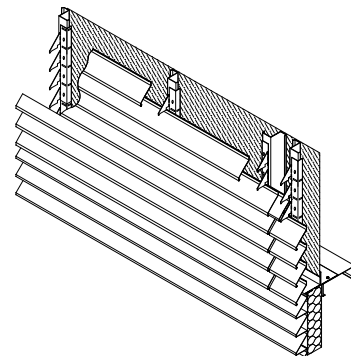


Typical APL non-combustible louvre profile assembly



AIRWALL™ Fully Perforated

Typical APL live louvre assembly



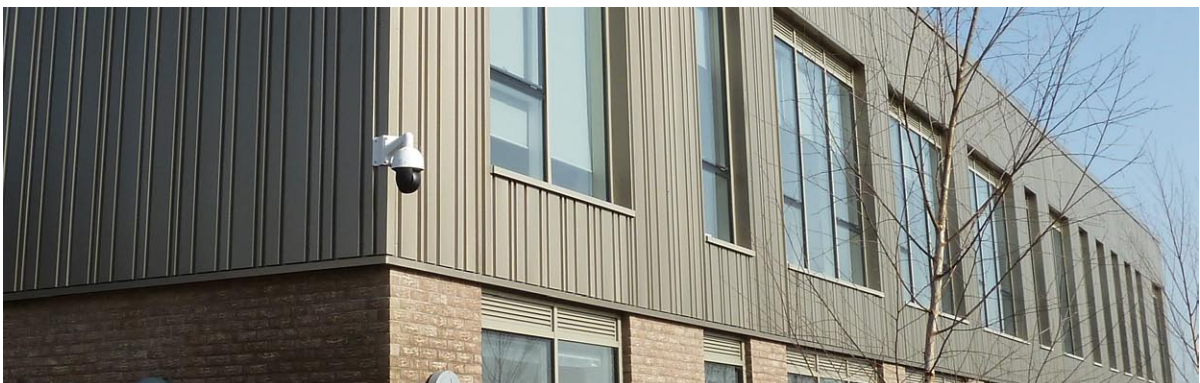
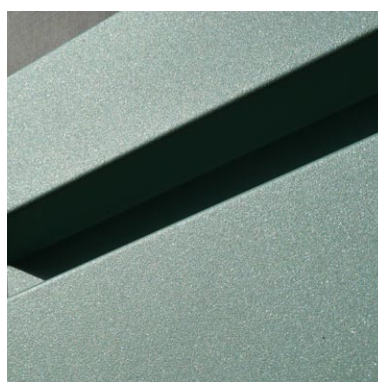
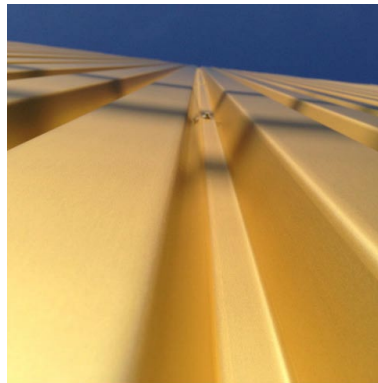
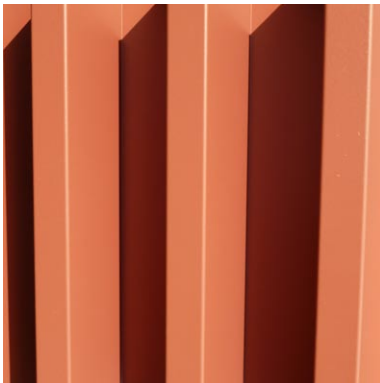
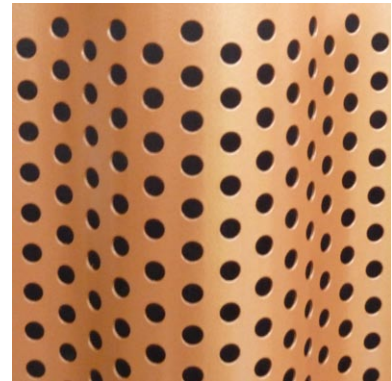
Custom Shape Panels & Profiles

Materials: Aluminium, Steel, Cor-ten. **Finishes:** PPC, Anodised, PUF, Armacoil™ HDP, Prisma, HPS, Perforated.

Our Custom panels and profiles allow designers to deliver a result non achievable with standard roll-formed product, including a **secret-fix option**.

What can be changed on the panel?

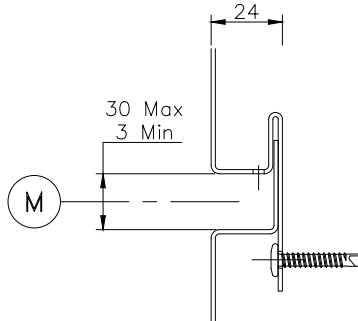
- Size
- Shape
- Pitch
- Depth
- Colour/Finish



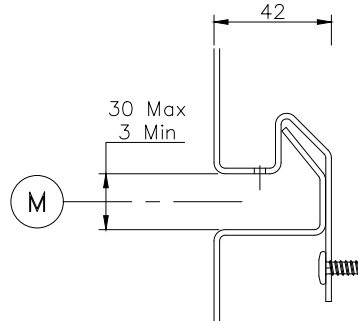
Slimwall™ Rainscreen and Flat Panel Systems

Materials: Aluminium, Steel, A1-rated ACM **Finishes:** PPC, Anodised, Armacoil™ HDP, Armacoil™ HDP-HT, APL PUF, Perforated

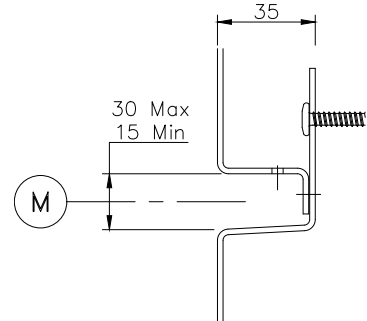
SFP 24 Secret Fix Top Down



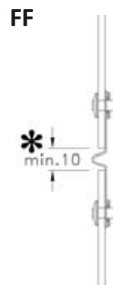
SFP 42 Secret Fix Top Down



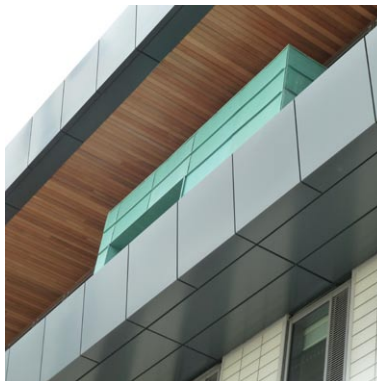
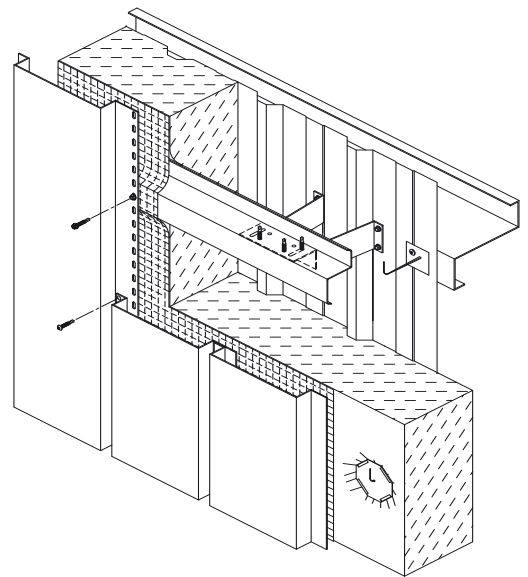
CPS/SSF Secret Structural Fix



FF (Face Fix)



Typical APL non-combustible Slimwall™ panel assembly

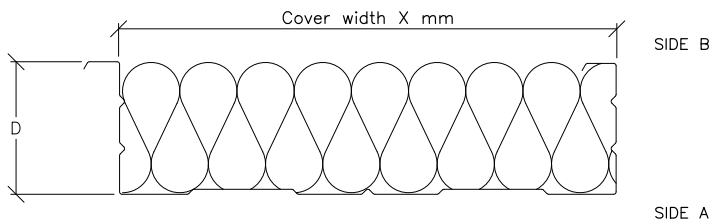


StrongBak™ Structural Framing System

Materials: Steel. **Finishes:** Internal Polyester, External Polyester, PUF

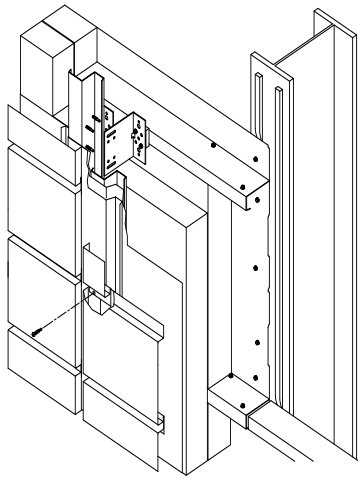
- Long span secret fix non-combustible structural panels.
- Based upon Kasset construction principles.
- Spans up to 10m between supports.
- Fast, versatile and cost effective, can provide a quality internal finish.
- Eliminates projecting fixings to inside of building.
- Works with ALL façade types.
- Insulation 'U' Value of up to 0.11 w/m²/°C.

AP SK



X, D to suit job specific structural requirements

Typical StrongBak™ assembly



Office interior



Warehouse interior



Bricks & Terracotta on StrongBak™

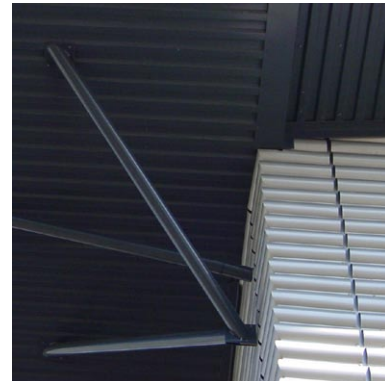
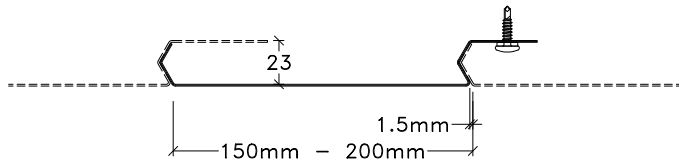


Panels on StrongBak™

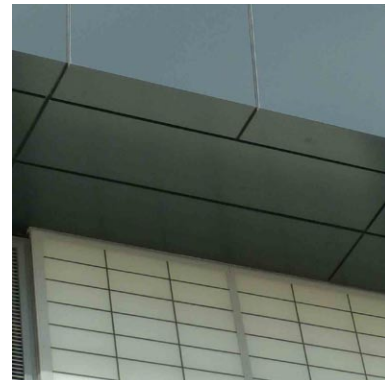
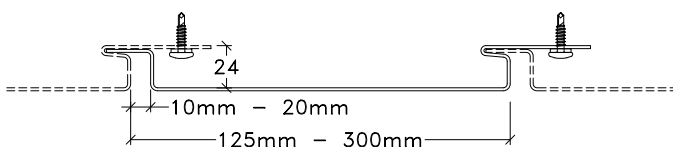
Soffit Systems

Materials: Aluminium, Steel, Cor-ten. **Finishes:** PPC, Anodised, PUF, Armacoil™ HDP, Prisma, HPS, LG.

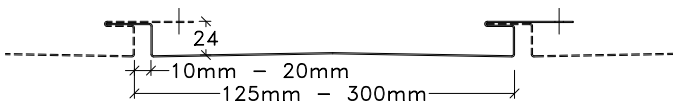
AP 22 S



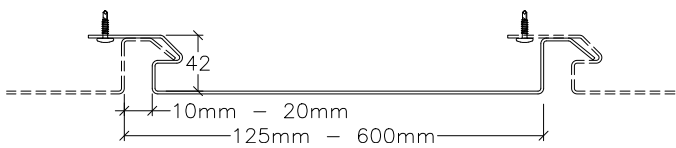
AP SFP 24



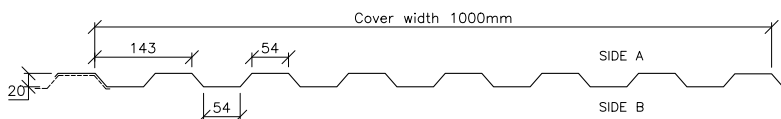
AP SFP 24 V



AP SFP 42



AP 22/50 S



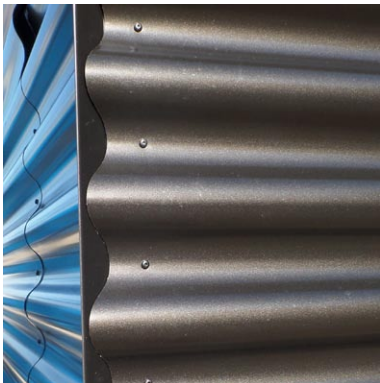
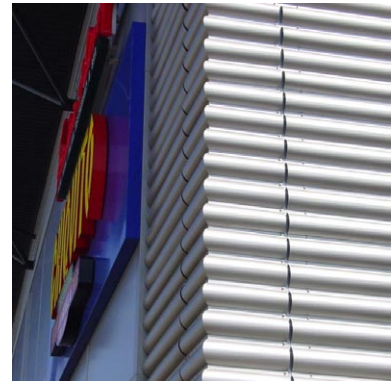
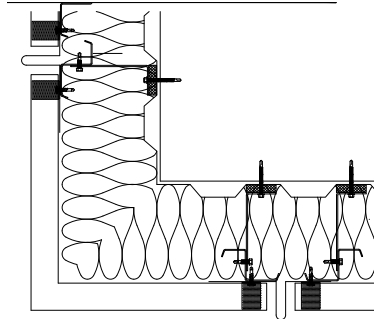
Architectural Mitre Corners and GE Fin Flashings

Materials: Aluminium, Steel, Cor-ten **Finishes:** PPC, Anodised, PUF, Armacoil™ HDP Prisma, HPS, LG.

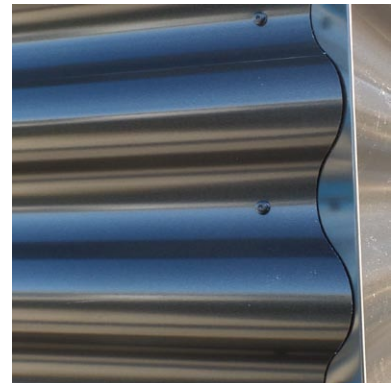
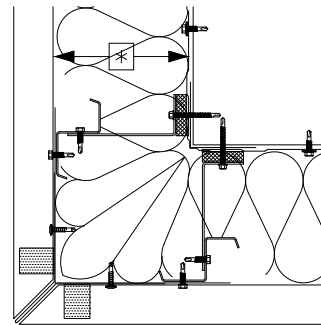
Special Fabrication Capabilities: Welding, perforation, corners.



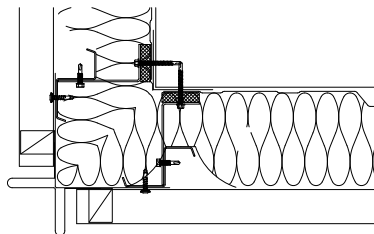
"F" Mitre Corner



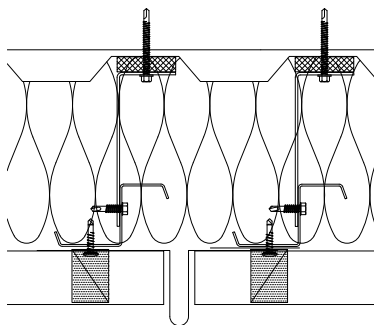
G.E Mitre Corner



G.E.X / F2 Cruciform Corner



G.E / F1 Fin

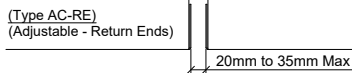
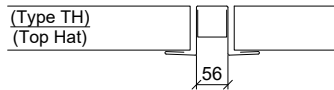
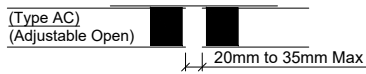
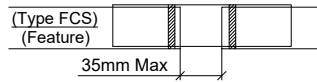
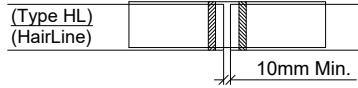


Architectural Fabrications and Flashings

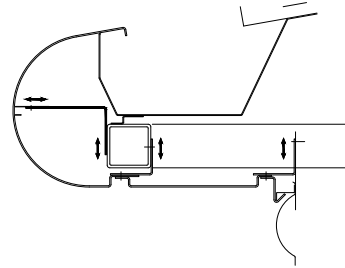
Materials: Aluminium, Steel, Cor-ten. **Finishes:** PPC, Anodised, PUF, Armacoil™ HDP, Prisma, HPS, LG.
Special Fabrication Capabilities: Welding, perforation, corners.



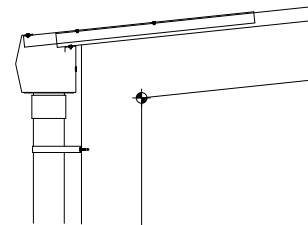
Vertical Joint Options



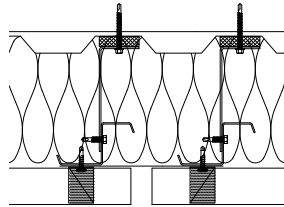
F-Bullnose



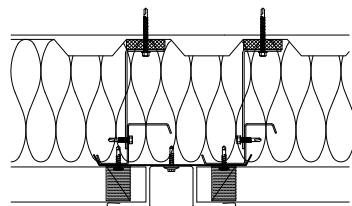
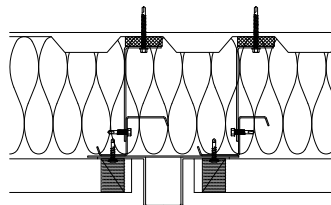
Fascia "Eaves Line" Gutter



A.C Feature

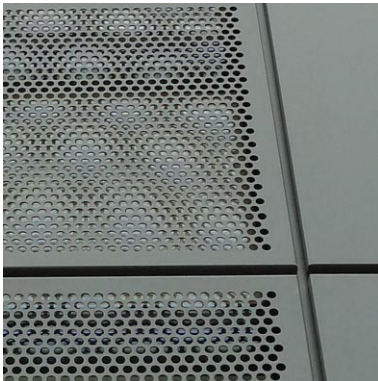


Top Hat Features



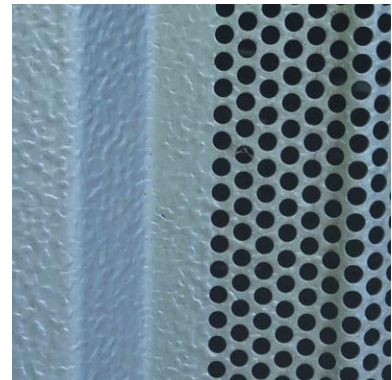
General Flashings and Fabrications

Materials: Aluminium (all grades) up to 5mm, Steel up to 8mm, Stainless Steel, Cor-ten.
Finishes: PPC, Anodised, PUF, Armacoil™ HDP, Prisma, HPS, LG, Perforated.



Capabilities

- Lengths up to 6.3m
- Corners
- Bandings
- Copings
- Stop ends
- Rain water pipes
- Wind Catchers
- Shutes
- Gutters
- Welding
- Galvanising



Fixings, Sealants & Accessories

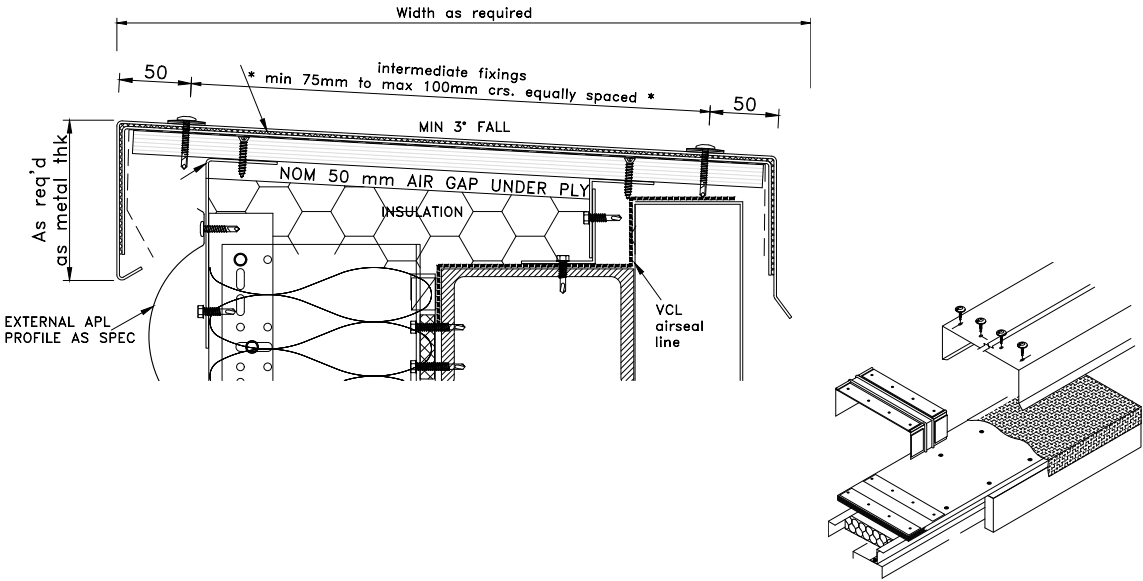


- APL offers a full range of fixings, sealants and accessories.
- Industry leading packaging leads to lower on-site waste.

APL CapFIX™ Capping System

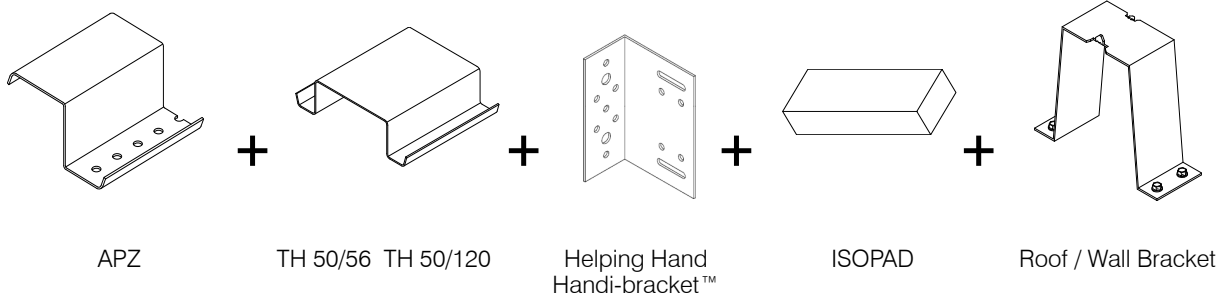
- Produces a clean, flat, secret-fix appearance.
- Ensures an ultra “secure detail.”

Typical APL CapFIX™ assembly

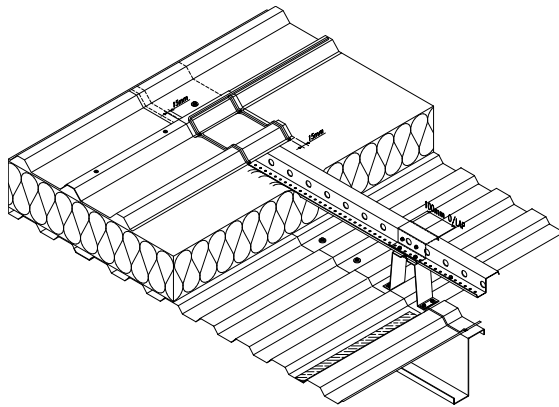


Tritherm™ Spacer System

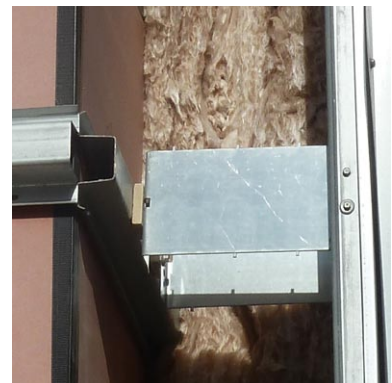
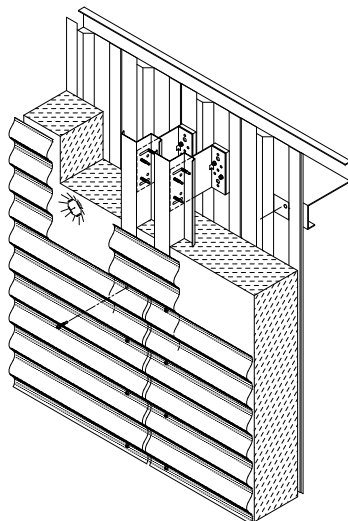
Materials: Roll-formed Structural Grade Steel for non-combustibility. Also available in aluminium.



Typical Tritherm™ Spacer System non-combustible assembly for roof profiles



Typical Tritherm™ Helping Hand non-combustible assembly for wall profiles



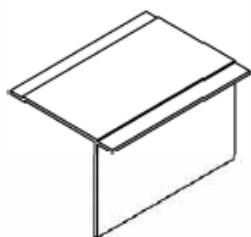
APL OverRoof - suitable for existing Asbestos profiles

Tritherm™ “Alu E” Extrusion Framing System

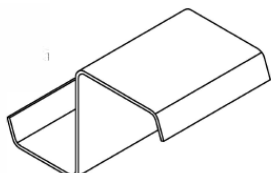
Materials: Structural Grade Aluminium.

- APL designs and manufactures the structural support system for various cladding systems .
- Full structural calculations can be provided.

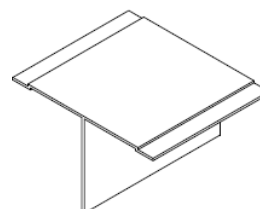
AP “L” Extrusion



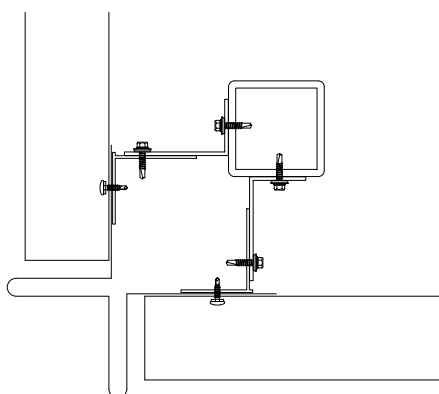
AP “Z” Extrusion



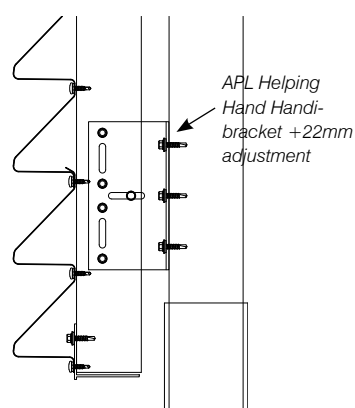
AP “T” Extrusion



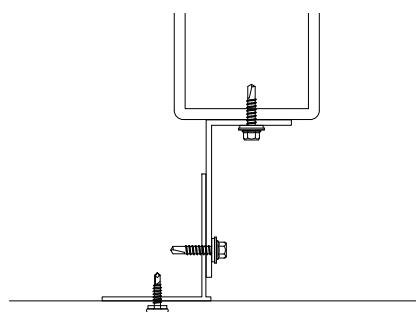
Typical APL Extrusion Corner Build Up



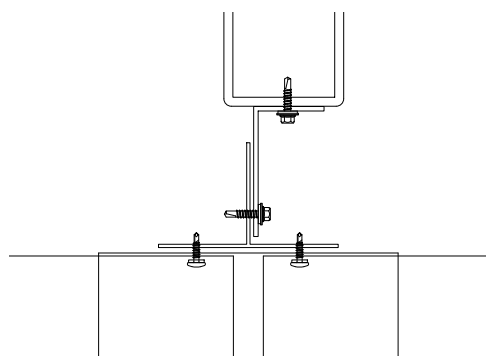
Typical APL Extrusion Profile Support



Typical APL Extrusion Flat Panel Support

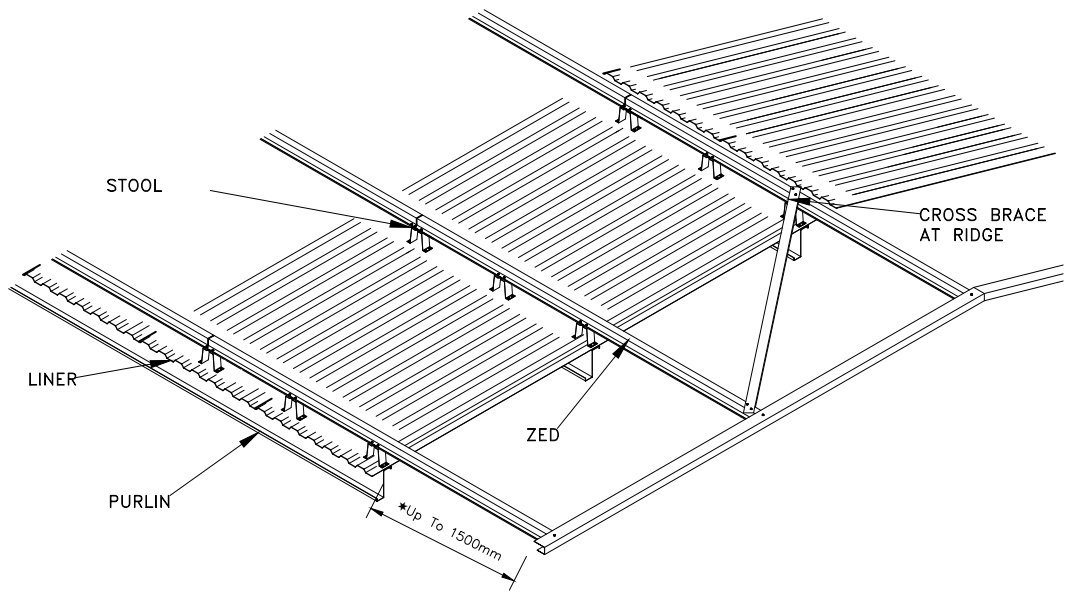


Typical APL Extrusion Flat Panel Joint Support

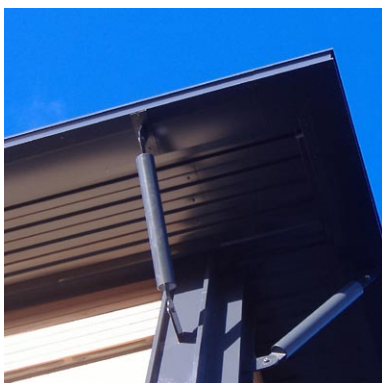
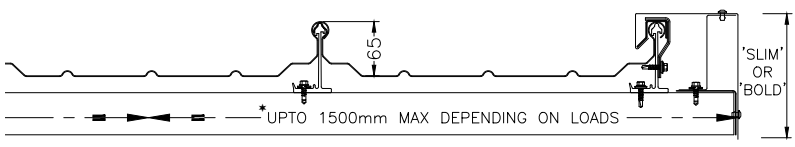


Cantilever Overhang System

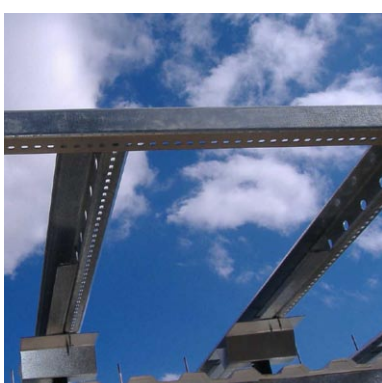
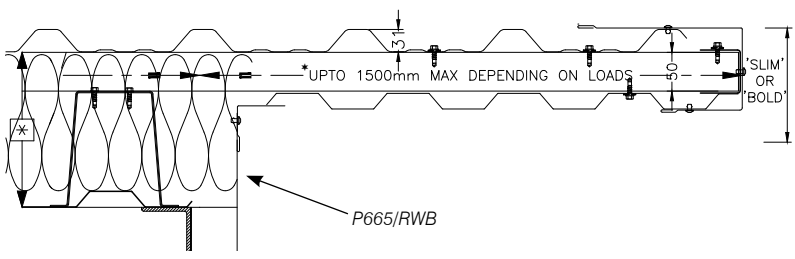
+ 1500mm Cantilever



With Standing Seam Roof



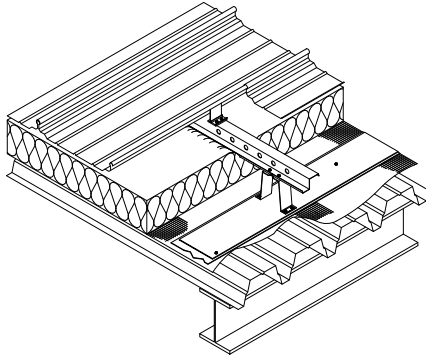
With Pierce Fix Roof



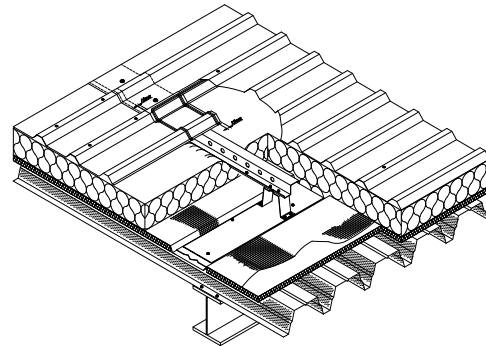
Structural Decking

Materials: Steel, Aluminium **Performance:** Standard, Acoustic, Perforated.

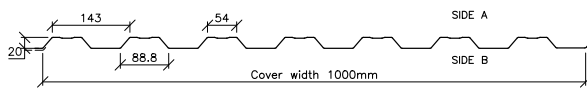
Typical APL acoustic structural deck assembly



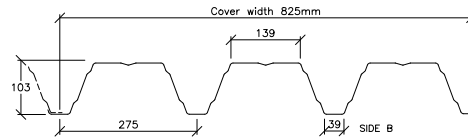
Typical APL perforated structural deck assembly



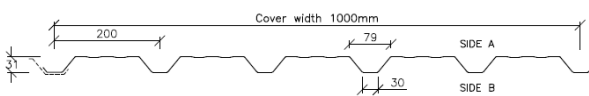
AP 22 HWD



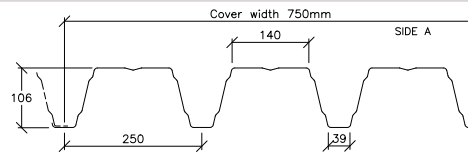
AP 100D



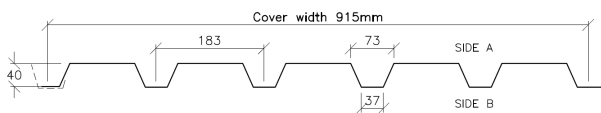
AP 31 DS



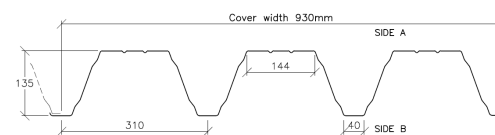
AP 110D



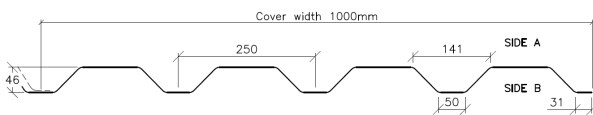
AP 40 D



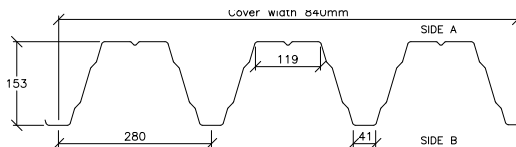
AP 140D



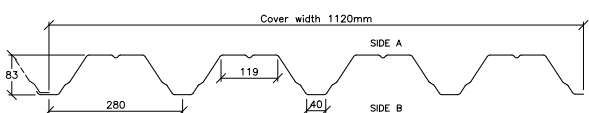
AP 50 D



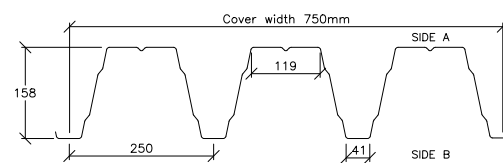
AP 153D



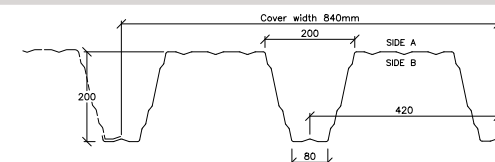
AP 80 D



AP 160D



AP 200D

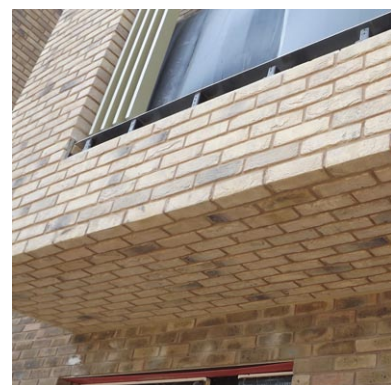
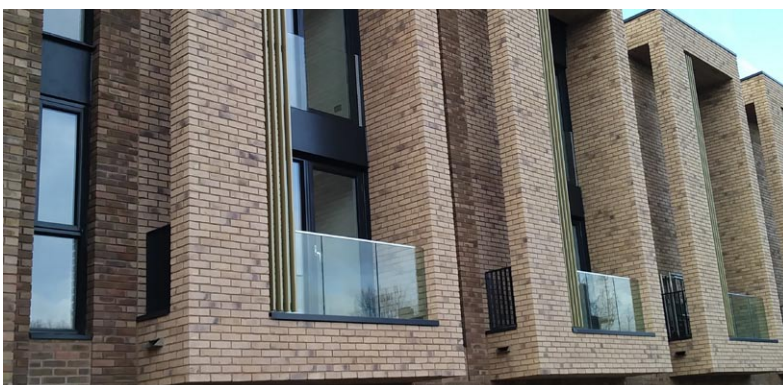
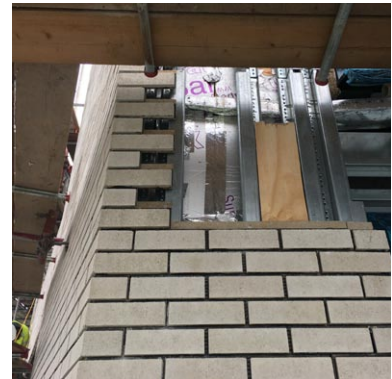
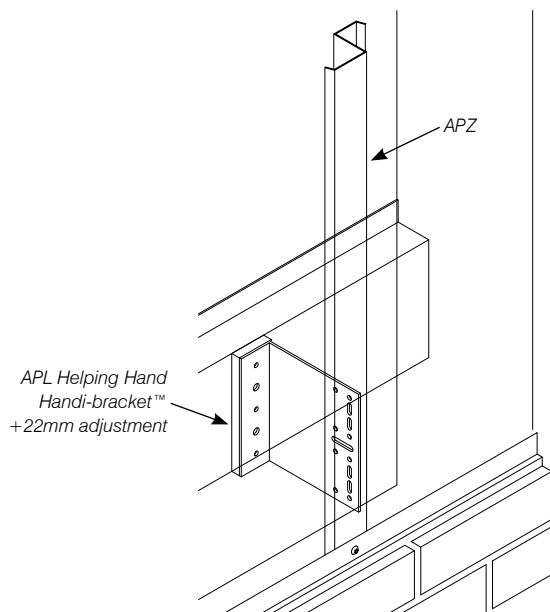


FastClad™ Brickslip Support System

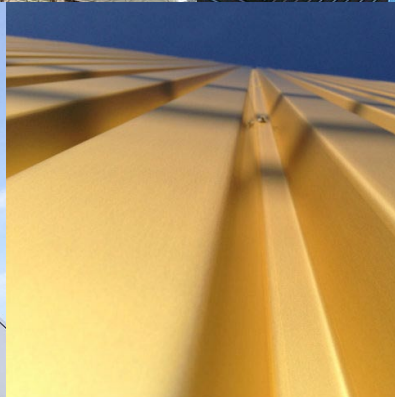
Materials: Structural Grade Steel.

- APL designs and manufactures the structural support system for the FastClad™ brick slip system.
- Full structural calculations can be provided.
- Please see www.advancedconstructionsystems.co.uk for further details on the FastClad™ Brick Slip System

Typical APL FastClad™ Support System Build Up



We are Architectural Profiles



Non-combustible system



25 year fully installed system warranty



Tel: 0118 927 2424 | Email: info@archprof.co.uk | www.archprof.co.uk

Architectural Profiles Limited 53 Crockhamwell Road, Woodley, Reading, Berkshire, RG5 3JP

All systems and products are subject to change. Terms and Conditions available upon request. vs

Established 35 years, all manufactured by us in the UK, and proud of it!

