

# APL Cladding Profiles + Systems

**APL**  
ARCHITECTURAL PROFILES



Sinusoidal, **Concave**, Airwall™, Trapezoidal, Louvre, APL SnapLoc™, Custom Bespoke, Slimwall™ & StrongBak™



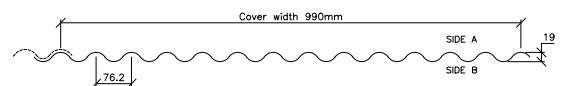




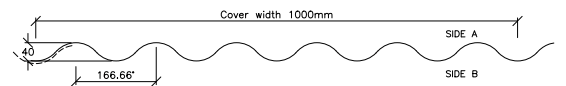
## Sinusoidal, Half-Round & Concave Profiles 100% Non-Combustible Construction

- Available in aluminium, steel and Cor-ten (18HR & 45HR only)
- Available as a fire-resistance rated insulated system assembly when combined with APL Tritherm™ Spacer System, with simple system upgrades for improved fire resistance performance
- Available in natural mill finish aluminium, PPC, Armacoil™ HDP, APL PUF, PRISMA and LG finishes
- Tested to CWCT-standards (45HR & 18HR) as a rainscreen
- Available with coating warranties up to 40 years including marine environments
- Available perforated and in bespoke widths
- Can be laid both horizontally and vertically
- System constructions available onto APL StrongBak™, cladding rails, SFS and blockwork
- Can be installed as part of the non-combustible APL EcoClad™ Energi Systems
- Available as part of APL SoundWall™ Acoustic system with weighted sound reduction of upto 64dB

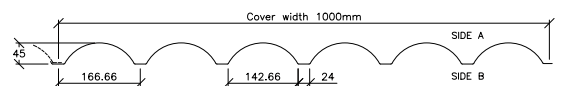
AP 18 HR



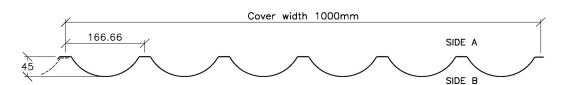
AP 45 HR



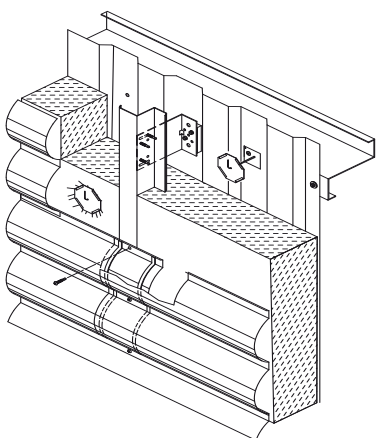
AP 50 HR



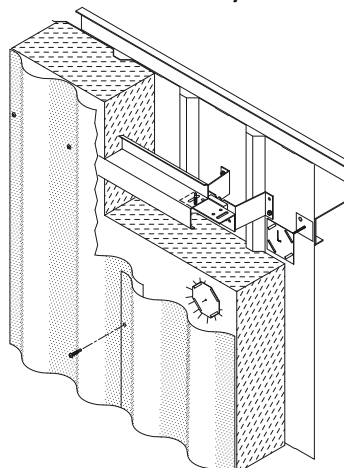
AP 50-CurveLine



Typical Non-Combustible Horizontal Assembly



Typical Non-Combustible Vertical Assembly

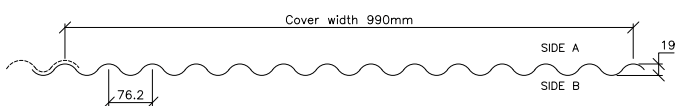




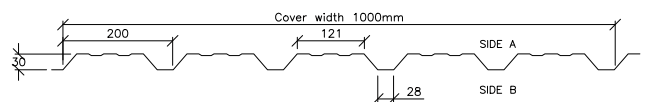
## Airwall™ Perforated Profiles / Brise Soleil 100% Non-Combustible Construction

- Available in aluminium, steel and Cor-Ten (excluding 50HR, 50-Curveline & 65ZS)
- Finishes in natural mill finish, PPC, Armacoil™ HDP and Anodised
- A1 fire-rated materials available as BS EN 13501-1
- Perforation sizes from 1mm to 15mm depending on the material and the profile
- Perforation shapes include round, square, diamond, rectangular or bespoke
- Perforation pitch (the dimension between each perforation) can be triangular, rectangular, diagonal or bespoke
- Available in BESPOKE COVER WIDTHS to meet specific project requirements - for example as a balcony/rail screen as 833mm wide
- Designed for use with the APL Tritherm™ colour-matched structural sub-framing system

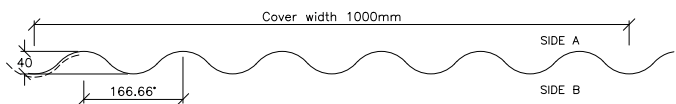
AP 18 HR Airwall™



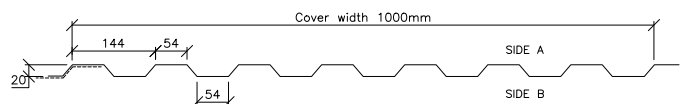
AP 30/35WR Airwall™



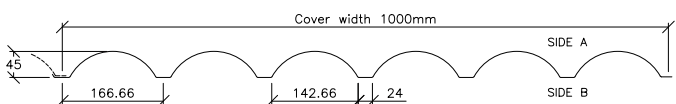
AP 45 HR Airwall™



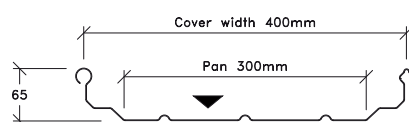
AP 22/50W Airwall™



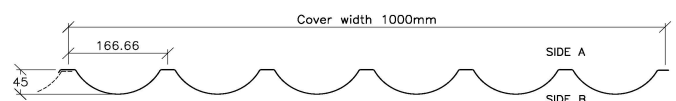
AP 50 HR Airwall™



AP 65 ZS 400 Airwall™



AP 50-Curveline™



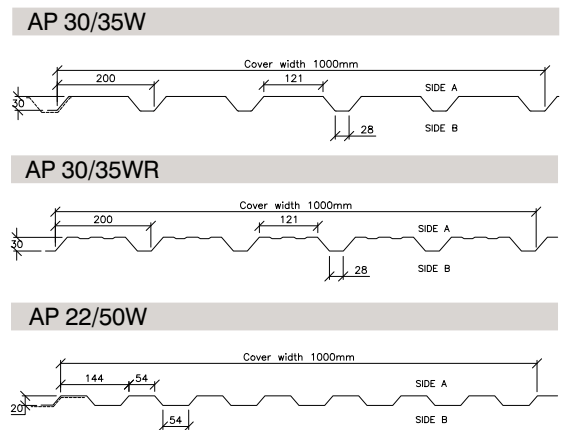




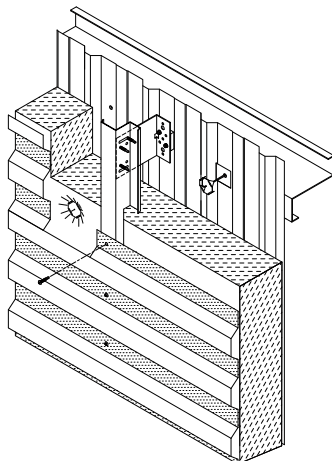
## Trapezoidal Profiles

### 100% Non-Combustible Construction

- Available in aluminium, steel and Cor-ten and as A1 to BS EN 13501-1
- Available as a fire-resistance rated insulated system assembly when combined with APL Tritherm™ Spacer System, with simple system upgrades for improved fire resistance performance
- Available in natural mill finish aluminium and Cor-Ten, PPC, Armacoil™HDP , Anodised, APL PUF, PRISMA and LG finishes
- Available with coating warranties up to 40 years including in marine environments
- Available perforated and in bespoke widths
- Can be laid both horizontally and vertically
- System constructions available onto APL StrongBak™, cladding rails, SFS and blockwork
- Can be installed as part of the non-combustible APL EcoClad™ Energi Systems
- U-values down to 0.10 W/m<sup>2</sup>K
- Available as part of APL SoundWall™ Acoustic system with weighted sound reduction of upto 64dB



Typical APL non-combustible horizontal wall profile assembly



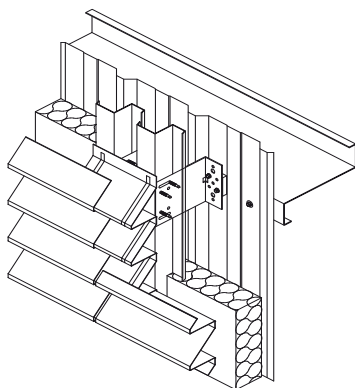


## Louvre Profile with Integrated Live Louvres

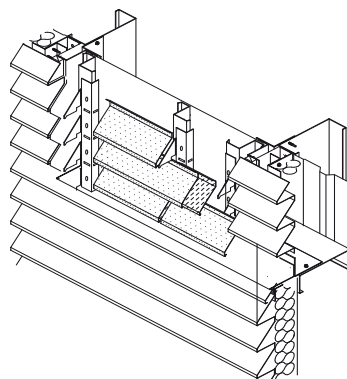
### 100% Non-Combustible Construction

- Exclusive profile shape to create a traditional louvre appearance
- Available with fully integrated 'live louvres' as Single and/or Double Bank types
- Roll formed in lengths up to 10m for less joints and very accurate profiles
- Available in aluminum, steel and Cor-Ten
- Available perforated as an alternative economic option to live louvres
- Available as a fire-resistance rated insulated system assembly when combined with APL Tritherm™ Spacer System, with simple system upgrades for improved fire resistance performance
- A1 fire-rated materials available as BS EN 13501-1
- Available in PPC, Armacoil™HDP, Anodised, PUF, PRISMA and LG finishes
- Up to 40 year warranty available on both the coating and the substrate, including for marine environments
- Can be laid both horizontally and vertically
- BSRIA tested (LB4 only)
- System constructions available onto APL StrongBak™, cladding rails, SFS and blockwork

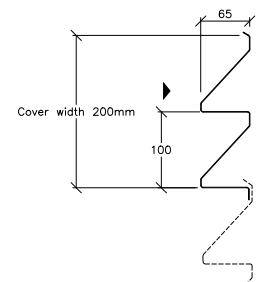
Typical AP 70 LCP Solid Louvre Profile Assembly



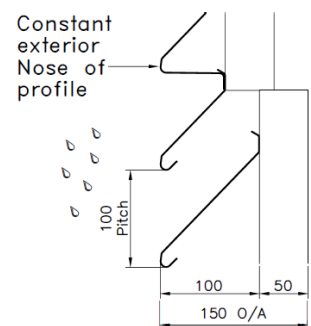
Typical AP70 LCP Louvre Profile with Integrated Live Louvres



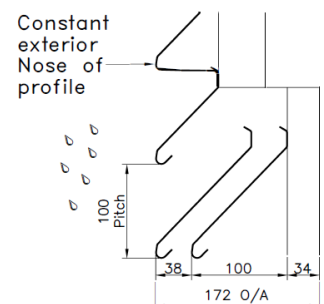
AP70 LCP Louvre Profile



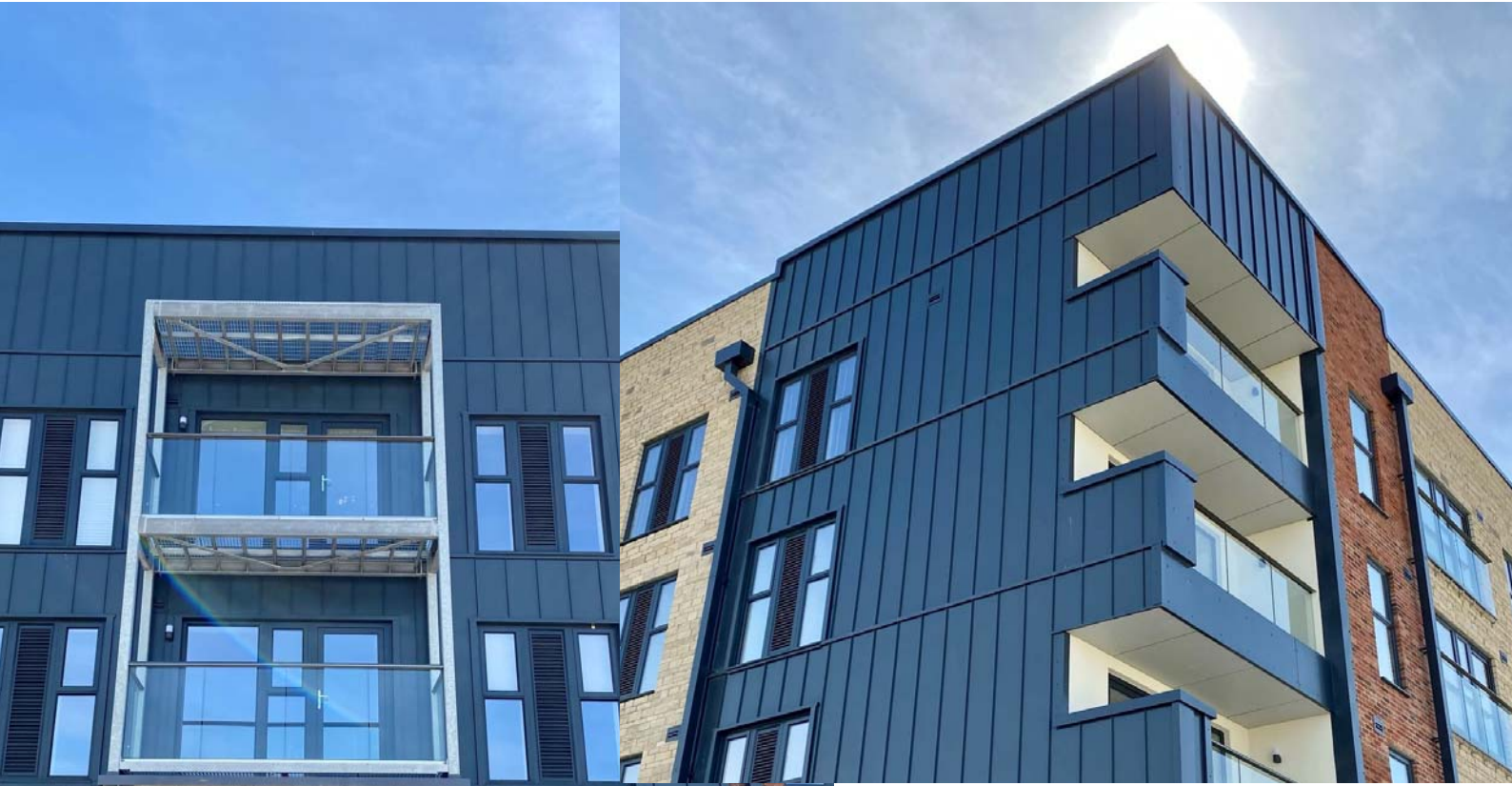
AP LB4 Live Louvre Single Bank



AP LB4 Live Louvre Double Bank







## APL SnapLoc™

### CWCT-Tested Traditional Flat Pan Standing Seam Cladding

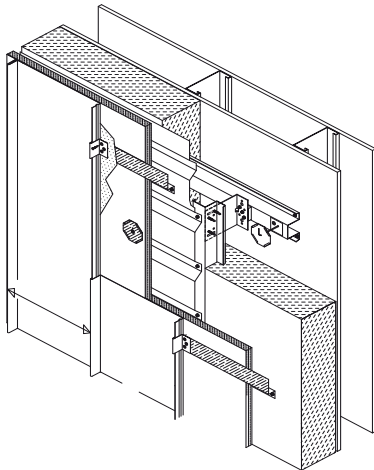
#### 100% Non-Combustible Construction

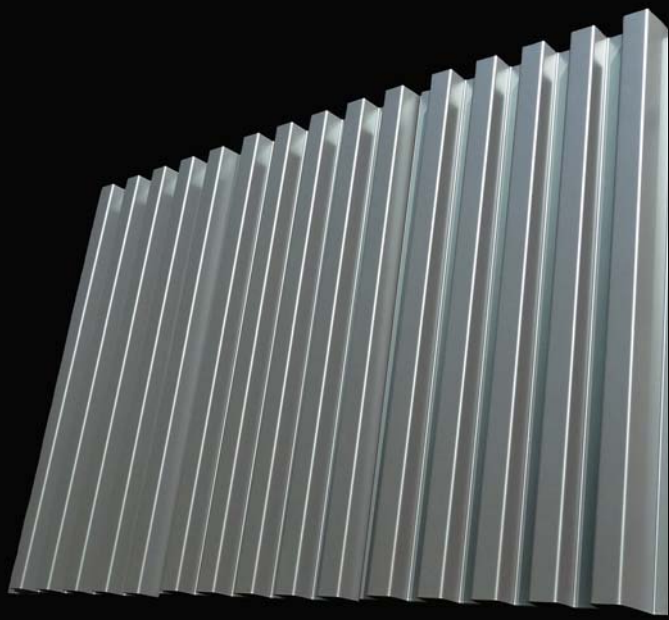
- Available in aluminium, steel and aluminium-zinc finish as A1 rated to BS EN 13501-1
- Finishes available in natural mill finish, stucco embossed, Armacoil™ HDP, APL PUF, PRISMA and LG finishes
- Tested to CWCT-standards
- NO SEAMING required making installation a quicker and easier process
- Standard seam height of 40mm with vertical or horizontal lay (alternative seam of 28mm also available)
- Up to 40 year warranty available on both the coating and the substrate, including for marine environments
- Upto 450mm cover width option provides extremely cost effective construction
- System constructions available onto APL StrongBak™, cladding rails, SFS and blockwork
- Can be installed as part of the non-combustible APL EcoClad™ Energi Systems

APL SnapLoc™  
Module Width 250mm - 450mm



Typical APL SnapLoc™ Vertical  
Assembly on SFS / Blockwork / Timber



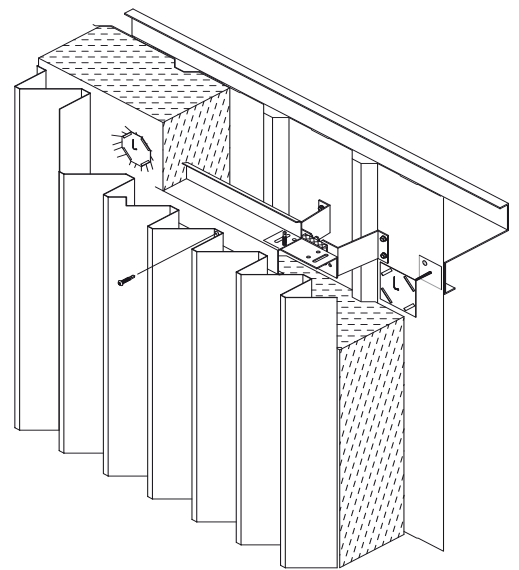


## Custom Made Bespoke Profiles

### 100% Non-Combustible Construction

- APL Custom Bespoke profiles allow designers to choose their individual required colour, shape, finish and dimensions to deliver a result not achievable with standard roll-formed product
- The size and shape of the profiles can be changed
- The pitch of the profiles can be changed
- The depth of the profiles can be changed
- Available in aluminium, steel and Cor-Ten
- Available in natural mill finish aluminium, PPC, Armacoil™HDP, Anodised, APL PUF and PRISMA
- Lengths upto 6m
- Variety of installation methods and available as secret fix, discreet face-fix fix, portrait & landscape
- System constructions available onto APL StrongBak™, cladding rails, SFS and blockwork
- Compatible with a variety of carrier systems - including the highly energy-efficient and economical Tritherm™ structural spacer system

Typical APL Bespoke Vertical Non-Combustible Assembly



Examples of Custom Bespoke Profiles



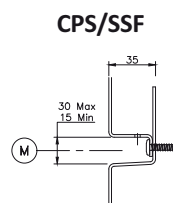
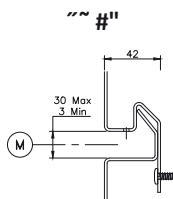
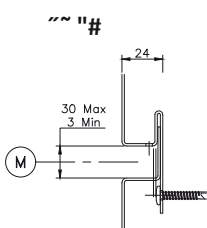
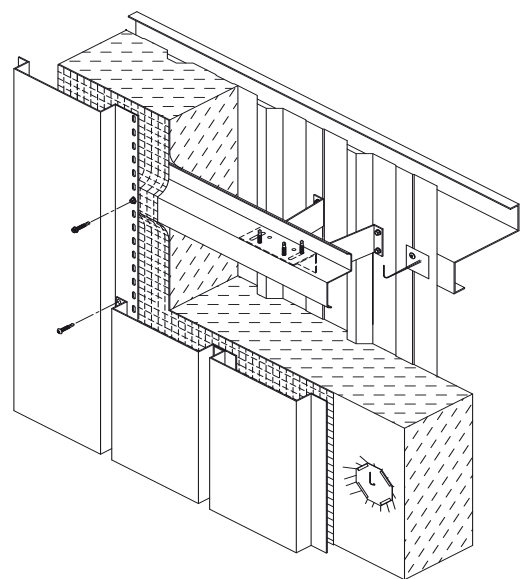


## APL Slimwall™ Flat Panel & Rainscreen System

### 100% Non-Combustible Construction

- Tested to CWCT standards
- Available in Aluminium, Steel, Cor-ten and A1-rated ACM
- Available as a fire-resistance rated insulated system assembly when combined with APL Tritherm™ Spacer System, with simple system upgrades for improved fire resistance performance
- A1 fire-rated material available to BS EN 13501-1
- Available in PPC, Armacoil™ HDP, Armacoil™ HDP-HT, Anodised & APL PUF
- Discreet-Fix, Face-Fix & Secret-fix options available
- Up to 40 year warranty available on both the coating and the substrate, including for marine environments
- Available curved, perforated and dished -bespoke designs available
- Joints sizes from 3mm to 20mm
- Available in face widths up to 1100mm and lengths up to 6m
- Can be laid both horizontally and vertically
- System constructions available onto APL StrongBak™, cladding rails, SFS and blockwork

Typical Slimwall™ Non-Combustible Vertical Assembly





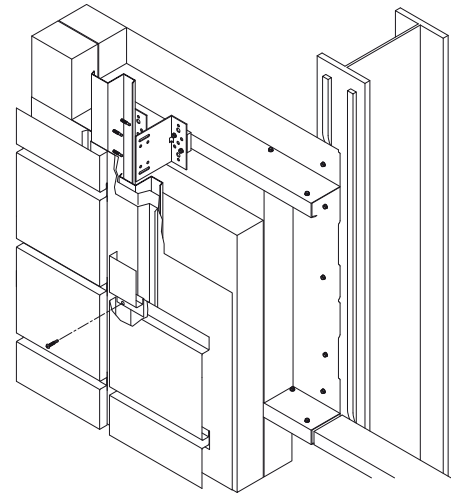


## APL StrongBak™ Long-Span Structural Roof & Wall Panel System

### 100% Non-Combustible Construction

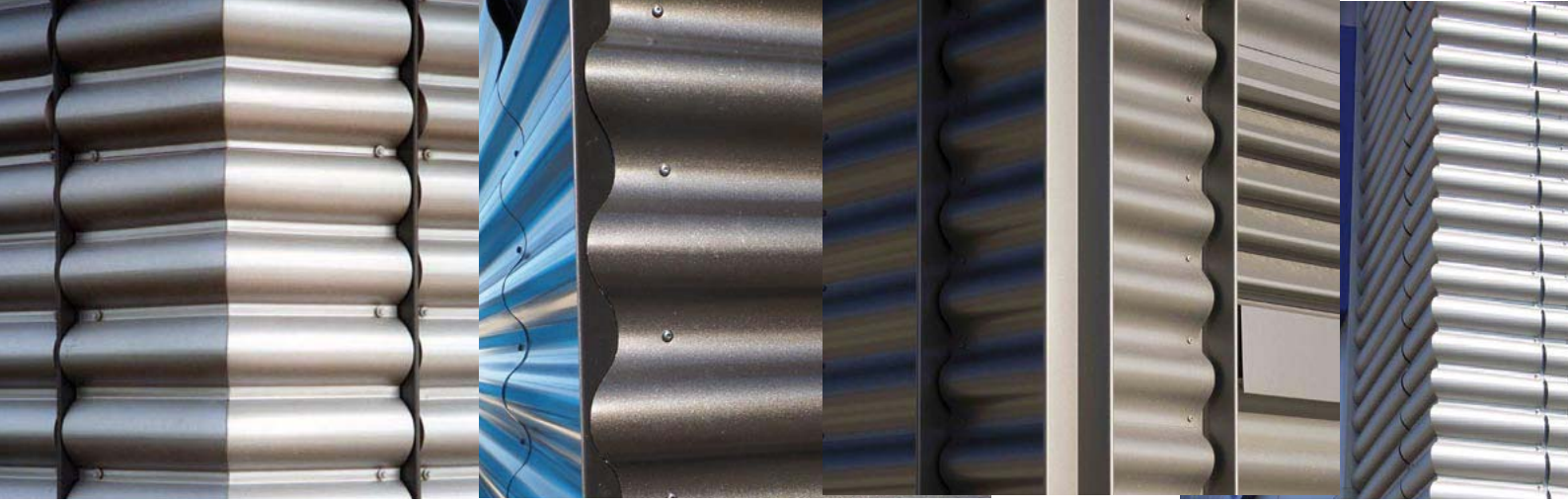
- CONFIDENCE OF A SYSTEM PROVEN OVER 35+ YEARS AND ACCEPTED BY FM GLOBAL
- PROVEN savings vs mineral wool composite alternatives on a fully-installed basis
- PROVEN spans of up to 10m between supports, eliminating expensive secondary steelwork
- Available as a fire-resistance rated insulated system assembly when combined with APL Tritherm™ Spacer System, with simple system upgrades for improved fire resistance performance
- Suitable for both roof and wall applications
- Acoustic performance of 45db AS STANDARD and a 'U' Value down to 0.11 W/m2.0C
- An EXTRA 3% NET-LETTABLE AREA vs secondary-steel options
- No projecting or visible internal fixings, with a variety of finishes available
- Up to 40 year warranty available on both the coating and the substrate, including for marine environments
- Flexibility as ALL facade types are compatible
- Quick and simple lifting and installation using standard MEWPs at a rate of c.1,000m2/week per gang

#### Typical StrongBak™ Non-Combustible Wall Assembly



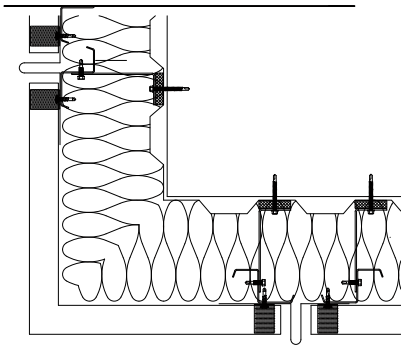
- DOES NOT require craneage or specialist installation skills and techniques
- DOES NOT warp, twist, burn or rot
- DOES NOT contain ANY oil-based insulation causing carcinogenic toxic fumes in a fire
- DOES NOT require secondary steel for single in-plane openings



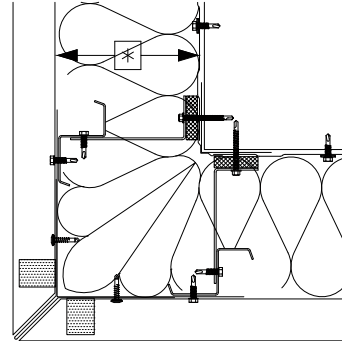


## APL Architectural Fin and Corner Flashings

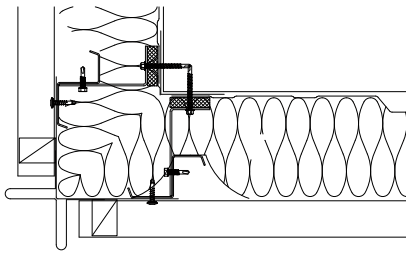
“F” Mitre Corner



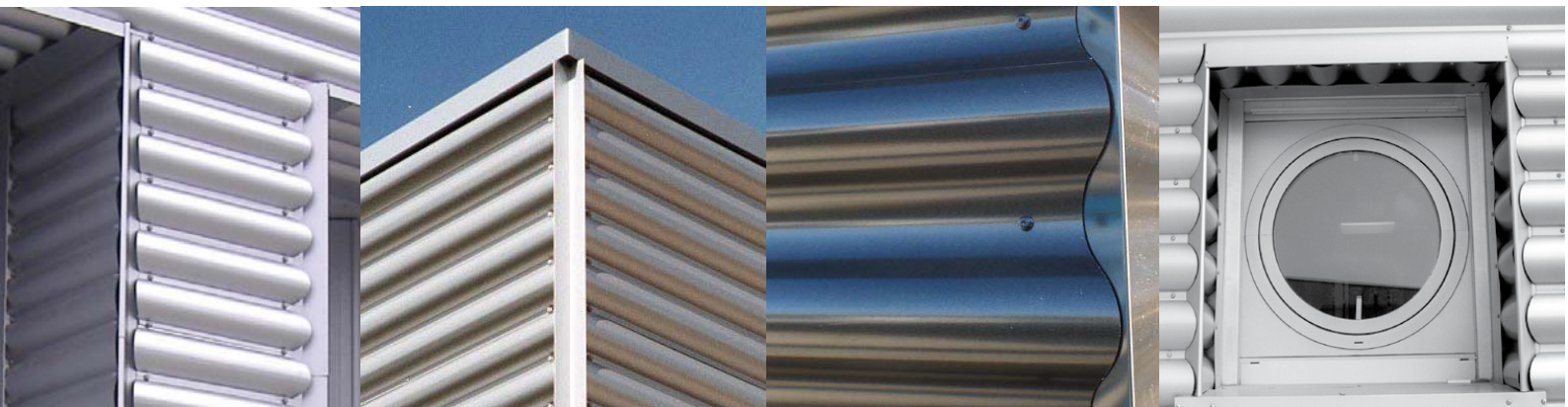
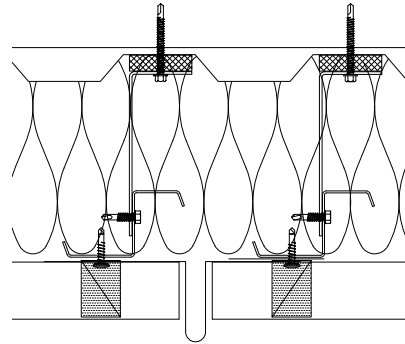
G.E Mitre Corner



G.E.X / F2 Cruciform Corner



G.E / F1 Fin

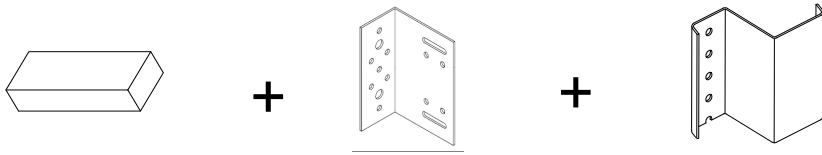






## APL Tritherm™ GALV Support Spacer System For Fully-Filled Cavity

### APL Tritherm™ Wall Components - Horizontal Orientation to Cladding Rails

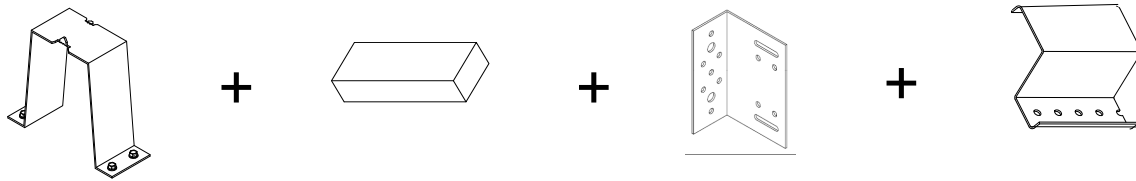


ISOPAD Thermal Break

Helping Hand  
Handi-bracket™

APZ50 Mini-Rail

### APL Tritherm™ Wall Components - Vertical Orientation to Cladding Rails



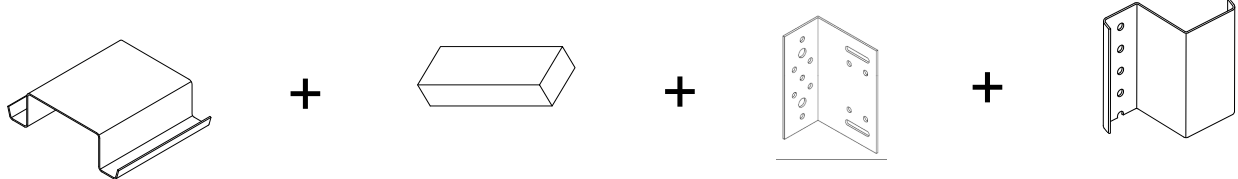
RWB Bracket

ISOPAD Thermal Break

Helping Hand  
Handi-bracket™

APZ50 Mini-Rail

### APL Tritherm™ Wall Components - Horizontal Orientation to SFS / Blockwork



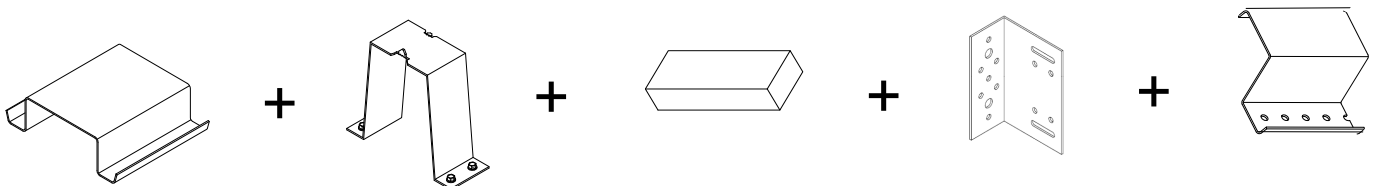
TH50/56 Load  
Spreader

ISOPAD Thermal Break

Helping Hand  
Handi-bracket™

APZ50 Mini-Rail

### APL Tritherm™ Wall Components - Vertical Orientation to SFS / Blockwork



TH50/56 Load  
Spreader

RWB Bracket

ISOPAD Thermal Break

Helping Hand  
Handi-bracket™

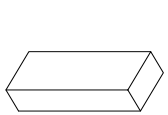
APZ50 Mini-Rail

All components GALV steel except thermal break and where noted



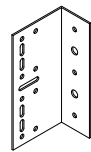
## APL AluE Tritherm™ Support Spacer System For Ventilated Cavity

### APL AluE Tritherm™ Wall Components - Horizontal Orientation to SFS / Blockwork



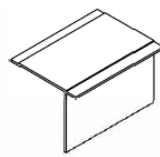
ISOPAD Thermal Break

+



Helping Hand  
Handi-bracket™

+



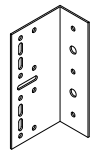
APL Extruded  
Angle / T

### APL AluE Tritherm™ Wall Components - Vertical Orientation to SFS / Blockwork



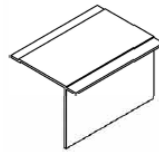
ISOPAD Thermal Break

+



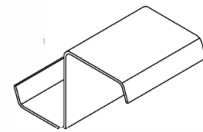
Helping Hand  
Handi-bracket™

+



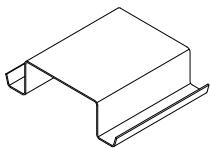
APL Extruded  
Angle / T

+



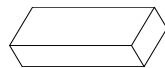
APZ60 Extruded  
Mini-Rail

### APL AluE Tritherm™ Wall Components - Horizontal Orientation to SFS / Blockwork



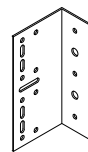
TH50/56 GALV  
Load-Spreader

+



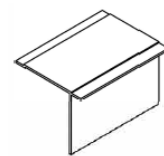
ISOPAD Thermal Break

+



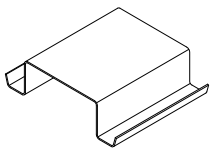
Helping Hand  
Handi-bracket™

+



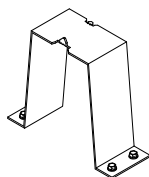
APL Extruded  
Angle / T

### APL AluE Tritherm™ Wall Components - Vertical Orientation to SFS / Blockwork



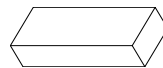
TH50/56 GALV  
Load-Spreader

+



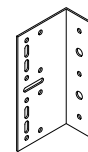
RWB Bracket

+



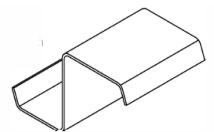
ISOPAD Thermal Break

+



Helping Hand  
Handi-bracket™

+



APZ60 Extruded  
Mini-Rail

All components aluminum except thermal break and where noted



# Who are Architectural Profiles?



- Specialists in complete NON-COMBUSTIBLE “through-wall” and “through-roof” systems
- Established for 40 years
- All systems and constructions fire-tested
- Specified by the UK’s leading Architects and Designers
- Chosen by the UK’s leading contractors and installers
- Provider of Cladshield - a 25-year fully-installed system warranty
- 55,000 sqft UK manufacturing facility
- Established members of the MCRMA & CWCT
- ISO:9001 & ISO:14001 registered

CUSTOM BESPOKE PANELS & PROFILES • STRONGBAK • MINERAL WOOL COMPOSITE ROOF & WALL PANELS  
LOUVRE PROFILE & LIVE LOUVRES • RAINSCREEN & FLAT PANELS • WALL & ROOF PROFILES • APL SNAPLOC  
& STANDING SEAM • SOFFITS • ARCHITECTURAL FLASHINGS • FLAT ROOF STRUCTURAL DECKINGS



Non-combustible system



25 year fully installed system warranty



Tel: 0118 927 2424 | Email: [info@archprof.co.uk](mailto:info@archprof.co.uk) | [www.archprof.co.uk](http://www.archprof.co.uk)

Architectural Profiles Limited 53 Crockhamwell Road, Woodley, Reading, Berkshire, RG5 3JP

All systems and products are subject to change. Terms and Conditions available upon request. vs

Established  
35 years, all  
manufactured  
by us in the UK,  
and proud of it!

