

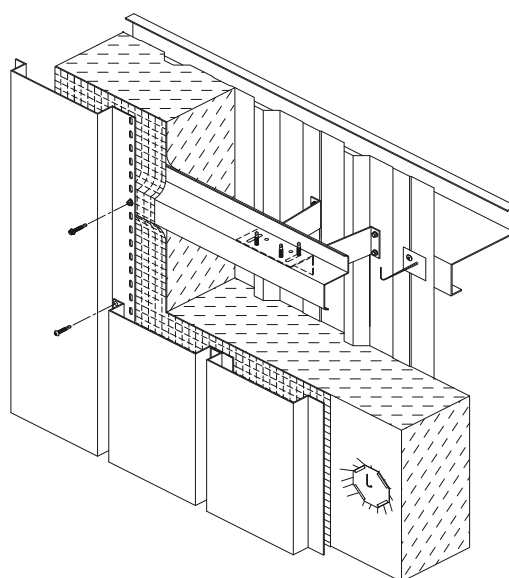


## APL Slimwall™ Flat Panel & Rainscreen System

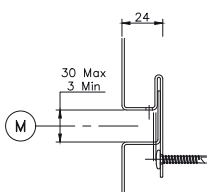
### 100% Non-Combustible Construction

- Tested to CWCT standards
- Available in Aluminium, Steel, Cor-ten and A1-rated ACM
- Available as a fire-resistance rated insulated system assembly when combined with APL Tritherm™ Spacer System, with simple system upgrades for improved fire resistance performance
- A1 fire-rated material available to BS EN 13501-1
- Available in PPC, Armacoil™ HDP, Armacoil™ HDP-HT, Anodised & APL PUF
- Discreet-Fix, Face-Fix & Secret-fix options available
- Up to 40 year warranty available on both the coating and the substrate, including for marine environments
- Available curved, perforated and dished -bespoke designs available
- Joints sizes from 3mm to 20mm
- Available in face widths up to 1100mm and lengths up to 6m
- Can be laid both horizontally and vertically
- System constructions available onto APL StrongBak™, cladding rails, SFS and blockwork

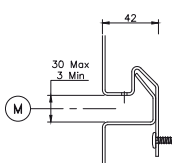
Typical Slimwall™ Non-Combustible Vertical Assembly



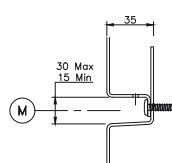
SFP24



SFP42



CPS/SSF



FF

