

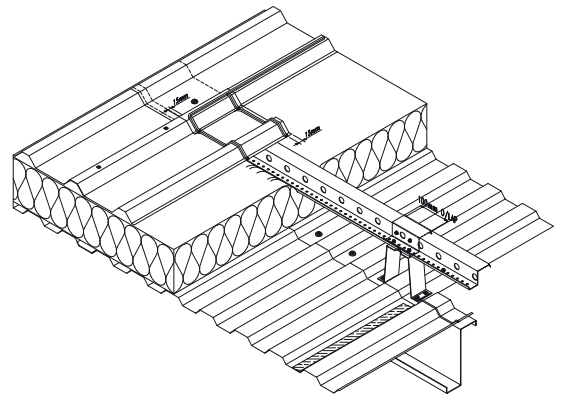


## Trapezoidal Roof Profiles

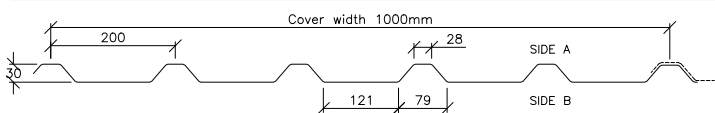
### 100% Non-Combustible Construction

- Available in aluminium, steel and Cor-ten
- Available in mill finish aluminium, stucco embossed aluminium, Armacoil™ HDP, PPC, Anodised, PUF, APL PUF ARS, PRISMA and LG finishes
- A1 fire-rated materials available as BS EN 13501-1
- Up to 40 year warranty available on both the coating and the substrate, including marine environments
- Can be installed on very low pitch slopes
- Part of the non-combustible APL EcoClad™ Energi Systems
- Designed to be used with the APL Tritherm Structural Spacer System
- Suitable for PV-mounting
- U-values down to 0.10/W/m<sup>2</sup>/°C
- Available as acoustic SoundRoof™ assembly with perforated liner

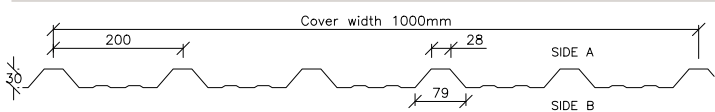
**Typical Pierce Fix Roof Assembly**



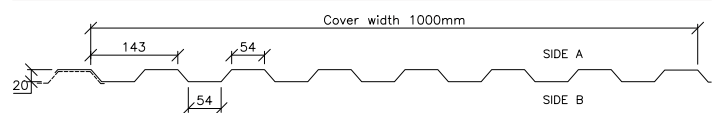
**AP 31/1000R**



**AP 31/1000RR**



**AP 22/50R**



**AP 22/50RR**

